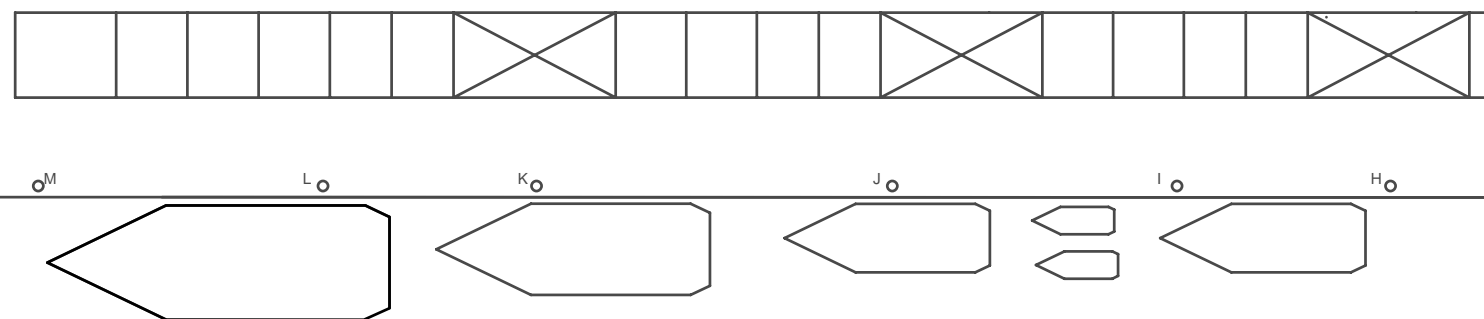




- * A20 Marine Technology Reporter
- A100 SEISMIC ASIA PACIFIC PTY. LTD
- A115 Oceanering International, Inc.
- A120 Environmental Technologies Limited
- A125 International Ocean Systems and Underwater Contractor Intern
- A245 Blue Marble Geographics
- A265 International Transducer Corp
- A350 ASI Environmental Sciences
- B325 Sound Metrics Corp.
- B115 Gill Instruments Ltd
- B550 C.R. Encapsulation Ltd
- D715 MARE Trans. Ltd.
- D715 Sea Technology Magazine
- G605 Datawell
- J650 Crusader Ltd.
- K15 J & S Ltd
- K600BriteX NDT Ltd
- K600CITRex Protective Products
- K600Falmouth Divers Limited
- K600Northern Diver
- K600Osiris Marine Services Ltd
- K600GASAMS LTD
- L155 ASD Sensortechnik GmbH
- L450 Umblicais International
- M205 British Geographical Survey
- M255 Advanced Orientation Systems Inc
- M500 Mettler Toledo UK
- M550 ASK SUBSEA
- M620 Hi-Target Survey Instrument Co.Ltd
- M650 C A Clase(UK) Limited
- N400 Submarine Manufacturing & Products Ltd
- N450 The Acclaimed Software Co Ltd
- N505 Reel Group
- N525 Vaisala
- N605 Lockheed Martin Sippican
- N655 Swale Oceanographic
- P100 Wish Software Limited
- P125 Wuxi Haiyang-Cal Tec Marine Technology Co Ltd
- P400 Indepth International
- P455 Seazone Solutions Limited
- R100 Measurement Technology NW
- R120 Ambassador Tapes Limited
- R140 Oceanscan
- R160 ALS MARINE Ltd
- R180 GO Science Ltd
- R200 Hangzhou Applied Acoustics Research Institute(HAARI)
- R205 Turo Technology Ltd
- R220 Sensor Technology Ltd
- R240 Cygnus Instruments Ltd
- R260 Arc Controls Inc
- R300 P.P. Shirshov Institute of Oceanology
- R320 ACSM Agencia Maritima
- R360 Fastwave Communications
- R380 GWP Protective
- R400 Neptune Geomatics
- R460 Topcon Europe Positioning B.V.
- R405 Indepth Subsea

British Oceanographic Data Centre
Stand No. L250



Oceanology International 9th - 11th March 2010



Sales Contact:	
Organising Contact:	
Show Name: Oi 10	Scale:
Issue: 38	Issue Date: 11/03/10
Updated By: R. Pigott	Updated: 20-01-10



Reed Exhibitions
Exhibition Services