

Current Developments



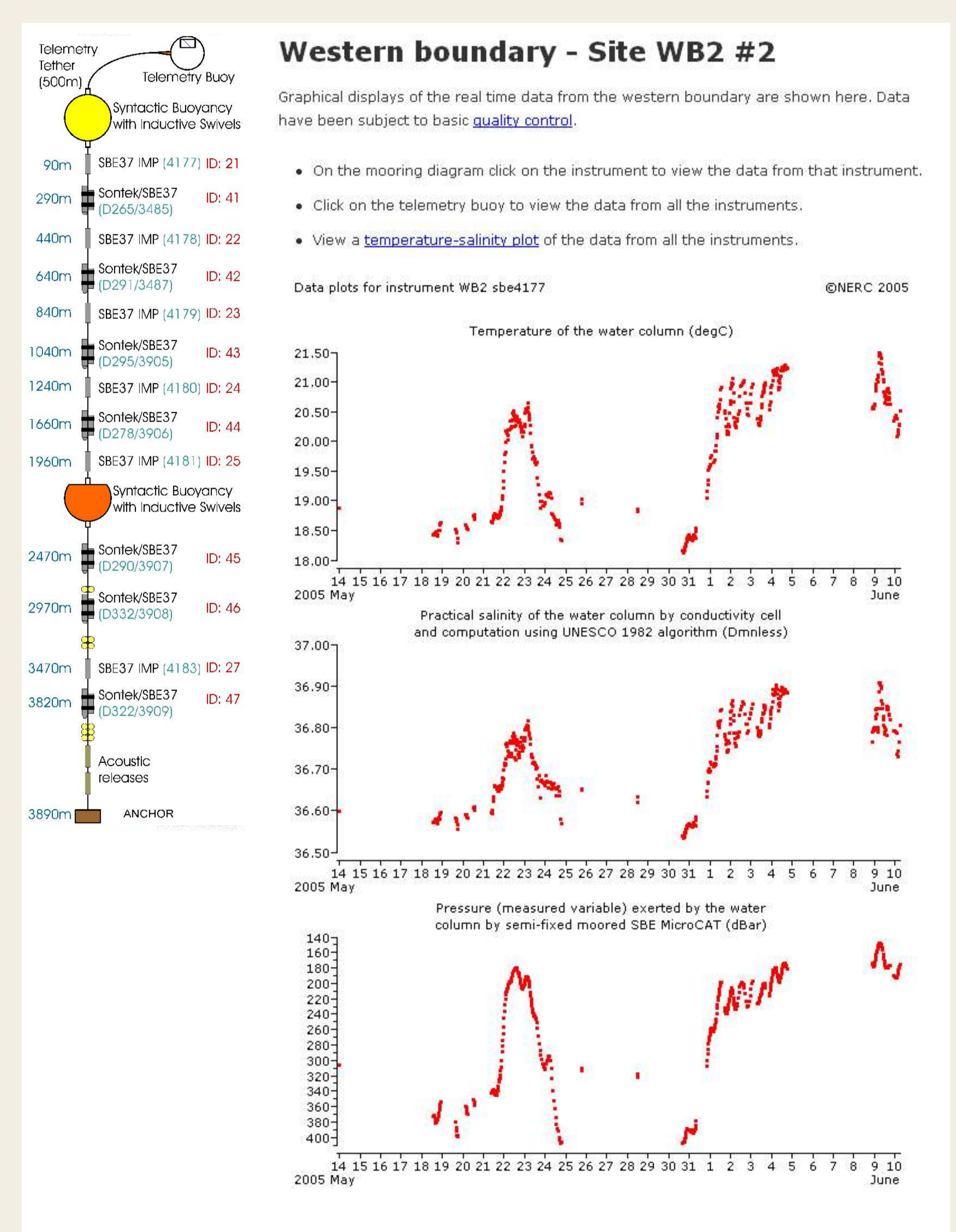
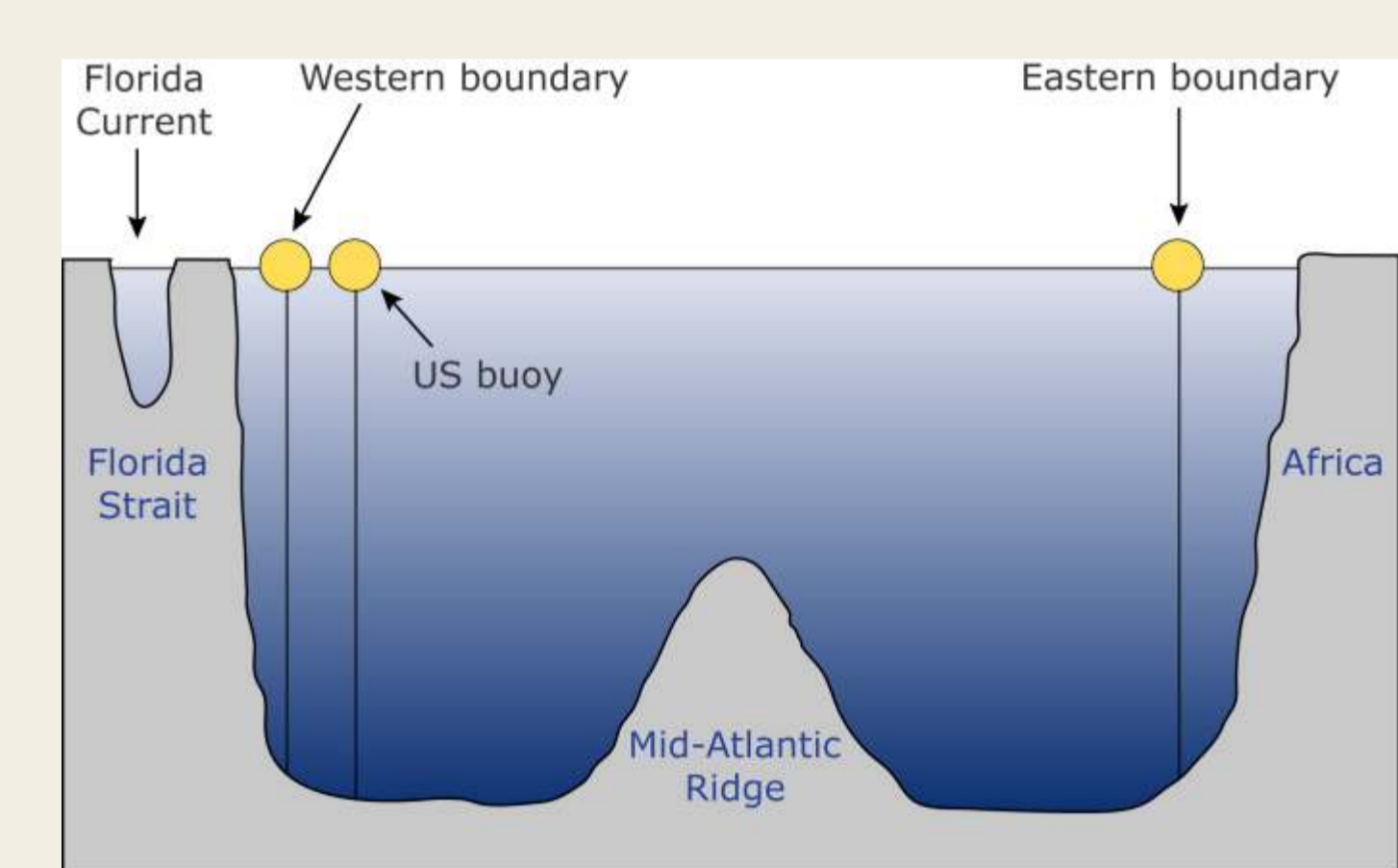
Real-time data access:

RAPID Climate Change
Meridional Overturning Circulation (MOC)
monitoring array

www.bodc.ac.uk/rapidmoc/

Telemetry buoys deployed at the boundaries of the North Atlantic at 26.5°N transmit temperature, pressure, conductivity and current speed data.

Graphical displays and a near real-time data download facility are now available online.



Improving access to data:
The NERC Data Grid



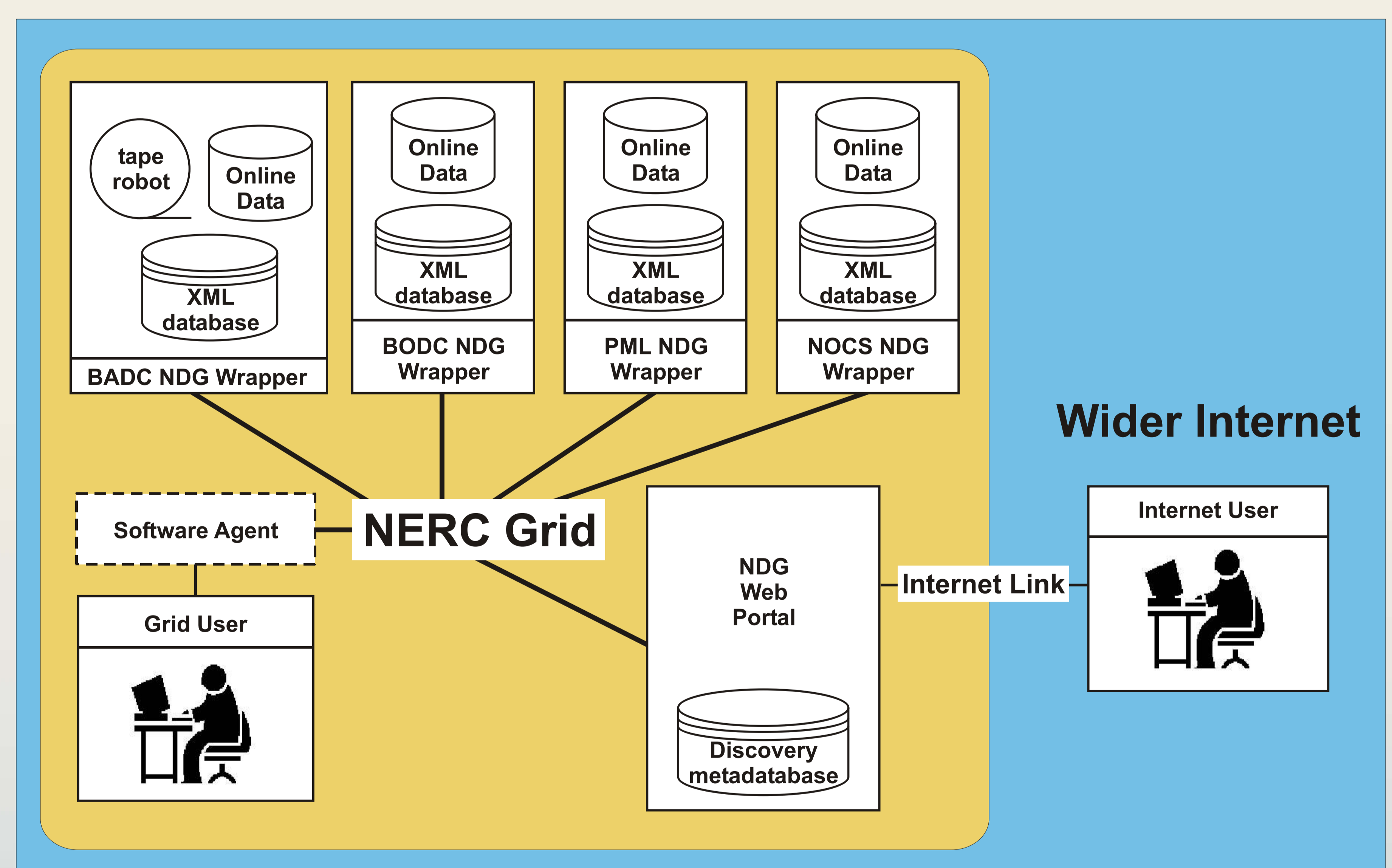
ndg.nerc.ac.uk

Objectives:

Combine NERC's data holdings into a seamless distributed data centre.

Provide access to data by a single login and single user registration.

Expose datasets through public discovery metadata.



British Oceanographic
Data Centre

NATURAL ENVIRONMENT RESEARCH COUNCIL