



Key Features

- Low Start Speed
- Corrosion Free
- Low Power
- No Calibration Required
- Robust Construction
- True 0-359° Operation (No dead band)
- Wind Speed & Direction from a Single Unit Available in Black or White

Specification

Wind Speed

Range	0 - 60 m/s (116 knots)
Accuracy	±2% @ 12 m/s
Resolution	0.01 m/s (0.02 knots)
Response Time	0.25 seconds
Threshold	0.01 m/s

Direction

Range	0 - 359° (No dead band)
Accuracy	±3° @ 12 m/s
Resolution	1°
Response Time	0.25 seconds

Measurement

Ultrasonic Output Rate	0.25Hz, 0.5Hz, 1Hz, 2Hz or 4Hz
Parameters	Wind Speed & Direction or U and V (vectors)
Units of Measure	m/s, knots, mph, kph, ft/min

Outputs

Option 1	RS232
Option 2	RS232 + RS422 + RS485 + NMEA*
Option 3	RS232 + RS422 + RS485 + NMEA* 0-5V or, 0-20mA or 4-20mA
Option 4	SDI-12 (refer to manual for technical specification)
Baud Rate	2400 to 38400
Anemometer Status	Supplied as part of standard message

* NMEA 0183

** Download software free from www.gill.co.uk

At last, a real low cost alternative to conventional cup/vane/propeller wind sensors in a single unit - WindSonic from Gill Instruments. Utilising our expertise as the world's leading sonic manufacturer, WindSonic is based on our existing, highly successful, proven ultrasonic technology. Ideal for applications that demand economic wind sensing, WindSonic is suitable for land-based and marine environments.

A lightweight unit, WindSonic is of a robust, high strength construction designed to withstand installation and use with no fear of the damage commonly experienced with more fragile cups, vanes or propellers. Without the need for expensive on-site calibration or maintenance and with a corrosion free exterior, WindSonic is a true fit and forget unit.

The flexible design enables you to easily configure WindSonic to deliver the information you require. By using the software provided it is possible to select the output rate and choose the units of measurement that suit your application. Ensuring accuracy and reliability, WindSonic automatically transmits an anemometer status code with each output to indicate its operating status. Available in four options, providing a number of different digital and analogue outputs.

Maintenance free, quick and easy to install, WindSonic is designed to be mounted using a standard pole fitting and comes complete with all screw fittings, a mating marine grade connector and comprehensive user manual. The unit is supplied with a 2 year warranty as standard.

Power Requirement

Anemometer	5-30V dc Option 1 & 2
	7-30V dc Option 3
	9-30V dc Option 4
	From 5.5mA @ 12V
	Start up time < 5 seconds

MTBF

	15 years
--	----------

Mechanical

External Construction	LURAN S KR 2861/1C ASA/PC
Size	142mm x 160mm
Weight	0.5kg

Environmental

Protection Class	IP65
Operating Temperature	-35°C to +70°C
Storage Temperature	-40°C to +80°C
Operating Humidity	< 5% to 100% RH
EMC	EN 61326: 1998

Warranty

	2 years
--	---------

Factory Calibration	Traceable to National Standards
---------------------	---------------------------------

Accessories

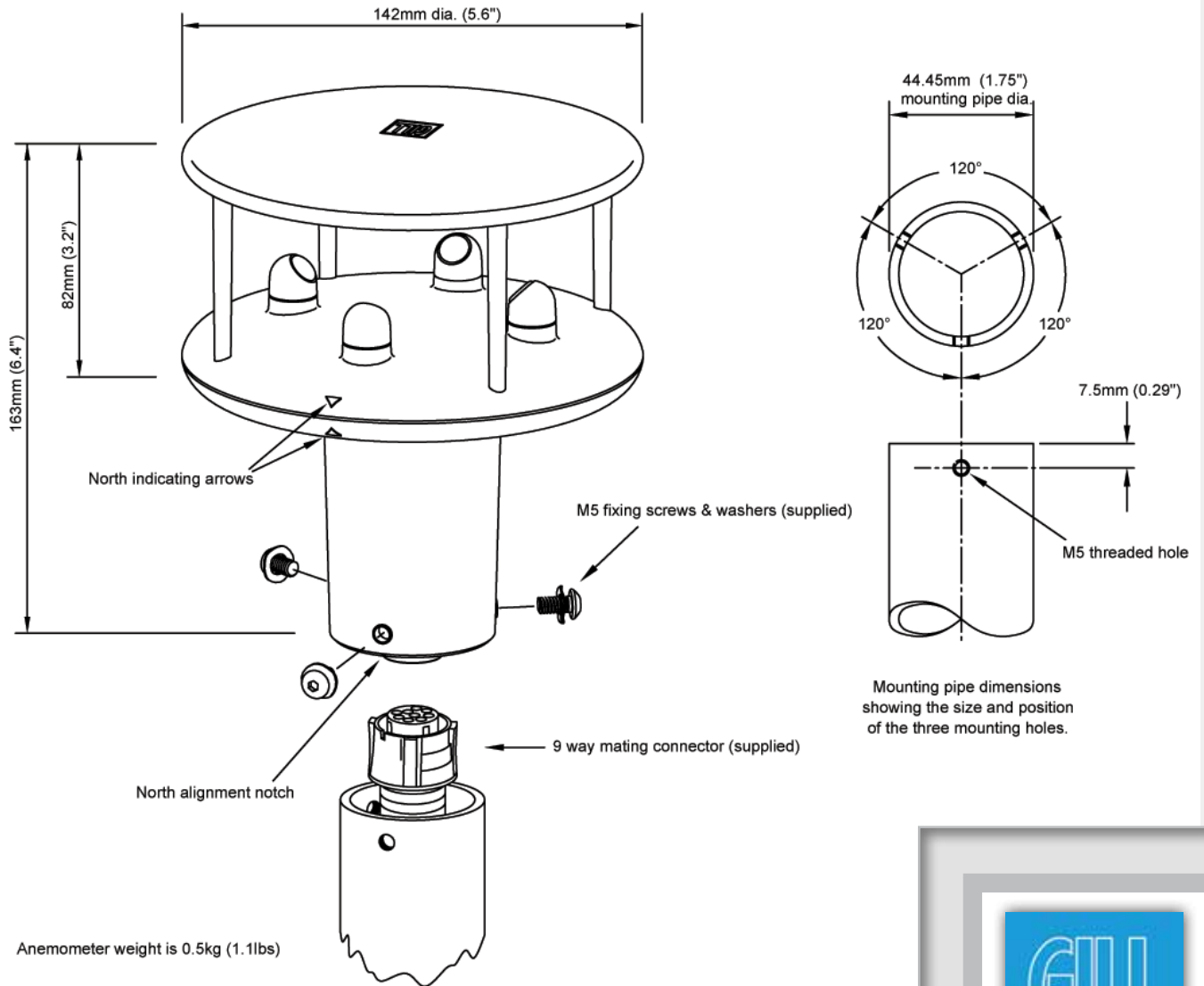
Pipe Mounting	44.45mm (1.75 in) diameter
Wind Software	Display / Logging**
Cables	Available to match output options
Display	See Gill Display datasheet

Typical Applications

- Agriculture
- HVAC
- Pollution control
- Portable weather Stations
- Roadside Weather Stations
- Tunnels
- Marine



Dimensions



The WindSonic is part of the Solent range of ultrasonic anemometers. The range is in continuous development and therefore specifications may be subject to change without prior notice.

