

NOTIFICATION OF PROPOSED RESEARCH CRUISE

PART A: GENERAL

1. NAME OF RESEARCH SHIP FRV "SOLEA" CRUISE NO. 675
2. DATE OF CRUISE FROM 27.06.13 TO 17.07.13
3. OPERATING AUTHORITY *Bundesanstalt für Landwirtschaft und Ernährung
Haubachstraße 86, 22765 Hamburg*
- TELEPHONE +49 (040) 306860 534/ Fax +49 (040) 306860 555
4. OWNER (if different from para. 3) Federal Republic of Germany
5. PARTICULARS OF SHIP
- | | |
|---|------------------------|
| <u>NAME</u> | <u>"SOLEA"</u> |
| <u>NATONALITY</u> | <u>German</u> |
| <u>OVERALL LENGHT</u> | <u>42.74 METRES</u> |
| <u>MAXIMUM DRAUGHT</u> | <u>3.90 METRES</u> |
| <u>NETT TONNAGE</u> | <u>638</u> |
| <u>PROPULSION</u> | <u>DIESEL ELECTRIC</u> |
| <u>CALL SIGN</u> | <u>DBFH</u> |
| <u>REGISTERED PORT & NUMBER</u>
(if registered fishing vessel) - | |
6. CREW
- | | |
|-----------------------|---------------------------|
| <u>NAME OF MASTER</u> | <u>V. Koops or deputy</u> |
| <u>NUMBER OF CREW</u> | <u>14</u> |
7. SCIENTIFIC PERSONNEL
- | | |
|--------------------------------|---|
| <u>NAME AND ADDRESS OF</u> | <u>Dr. M. Schaber</u> |
| <u>SCIENTIST - IN – CHARGE</u> | <u>Thünen-Institute of Sea Fisheries
Palmaille 9, 22767 Hamburg</u> |
| <u>TEL. / TELEX / FAX NO.</u> | <u>+49 40 38905-173 +494038905-264</u> |
| <u>NUMBER OF SCIENTISTS</u> | <u>7</u> |
8. GEOGRAPHICAL AREA IN WHICH SHIP WILL OPERATE (with reference in Latitude and Longitude) :
52°00'N-57°00'N; 2°30'W-9°E (see map attached)
9. BRIEF DESCRIPTION OF PURPOSE OF CRUISE :
Assessment of Herring and Sprat stocks as part of an international (ICES co-ordinated) hydroacoustic survey
10. DATES AND NAMES OF INTENDED PORTS OF CALL :
Hanstholm, Esbjerg (Denmark), Aberdeen (UK), date not fixed, depending on work schedule
11. ANY SPECIAL REQUIREMENTS AT PORTS OF CALL : None

NOTIFICATION OF PROPOSED RESEARCH CRUISE

PART B: GENERAL

1. NAME OF RESEARCH SHIP FRV "SOLEA" CRUISE NO. 675
2. DATES OF CRUISE FROM.....27.06.13..... TO17.07.13.....

3. a) PURPOSE OF RESEARCH

Hydroacoustic monitoring of clupeid stocks

b) GENERAL OPERATIONAL METHODS (including full description of any fishing gear - trawl type, mesh size etc)

Hydroacoustic measurements, reference fishing on selected fishing stations, length and weight measurements, otolith sampling for age determination, hydrographic stations with CTD-probe, herring trawl for pelagic and bottom trawling (see drawings)

4. ATTACH CHART showing, (on an appropriate scale) the geographical area of the intended work, the area to be fished, positions of intended stations, tracks of survey lines, positions of moored / seabed equipment, areas to be fished:

The areas to be investigated depend on the fish distribution during the cruise. Thus, no cruise track and fishing positions can be fixed in advance. Chart is attached.

5. a) TYPES OF SAMPLES REQUIRED e.g. Geological / Water / Plankton / Fish/ Radionuclide etc:

Fish samples: herring and sprat, small samples retaining on board, water samples for calibration of CTD probe

5. b) METHODS OF OBTAINING SAMPLES (e.g. dredging / coring /drilling / fishing etc.)
(When using fishing gear indicate fish stocks being worked, quantity of each species required, quantity of fish to be retained on board)

Trawling, water samples taken by standard CTD and water bottles

6. DETAILS OF MOORED EQUIPMENT : *no moored equipment*

DATES :

Laying Recovery Description Depth Latitude Longitude

7. ANY HAZARDOUS MATERIALS: (e.g. Chemicals/ Explosives/ Gases/ Radioactive etc.)
(Use separate sheet if necessary)

- (a) Type and trade name *none*
 (b) Chemical content (& Formula)
 © IMO IMDG code (Reference & UN No.)
 (d) Quantity & method of stowage on board
 (e) If explosives give date (s) of detonation
 - Method of detonation
 - Position of detonation
 - Frequency of detonation
 - Depth of detonation
 - Size of explosive charge in Kgs

8. DETAIL & REFERENCE OF :

- (a) Any relevant previous / future cruises
186th cruise of FRV "Walther Herwig III", 1997
196th cruise of FRV "Walther Herwig III", 1998
444th cruise of FRV "Solea", 1999
218th cruise of FRV "Walther Herwig III", 2000
478th cruise of FRV "Solea", 2001
240th cruise of FRV "Walther Herwig III", 2002
253th cruise of FRV "Walther Herwig III", 2003
265th cruise of FRV "Walther Herwig III", 2004
544th cruise of FRV "Solea", 2005
559th cruise of FRV "Solea", 2006
576th cruise of FRV "Solea", 2007
591th cruise of FRV "Solea" 2008
607th cruise of FRV "Solea" 2009
624th cruise of FRV "Solea" 2010
642th cruise of FRV "Solea" 2011
658th cruise of FRV "Solea" 2012
similar cruises of RV "Dana", "G.O. Sars", "Michael Sars", "Scotia", "Tridens"

- (b) Any previously published research data relating to the proposed cruise.

See annual reports of the ICES Herring Assessment Working Group and the ICES Planning Group of Herring Surveys

9. NAMES AND ADDRESSES OF SCIENTISTS IN COASTAL STATE(S) IN WHOSE WATERS THE PROPOSED CRUISE TAKES PLACE WITH WHOM PREVIOUS CONTACT HAS BEEN MADE:

DK: J. Dalskov, DTU Aqua, Charlottenlund
NL: A. S. Couperus, IMARES, IJmuiden
UK: P. Fernandes, FRS Marine Laboratory, Aberdeen

10. STATE :

- a) Whether visits to the ship in port by scientists of the coastal state concerned will be acceptable

YES

- b) Participation of an observer from the coastal state for any part of the cruise together with the dates and the ports for embarkation / disembarkation.

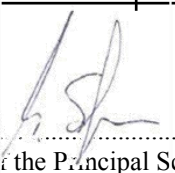
NO

- c) When research data from the intended cruise is likely to be made available to the coastal state authorities and by what means.

Cruise Report about 4 weeks after the trip
ICES Report of Herring Assessment Working Group, from May 2014 on

PART C: SCIENTIFIC EQUIPMENTCOASTAL STATE
United KingdomCOMPLETE THE FOLLOWING TABLE
SEPARATE COPY FOR EACH COASTAL STATEPORT CALL *Aberdeen*DATES 27.06.13-17.07.13INDICATE „YES“ OR „NO“

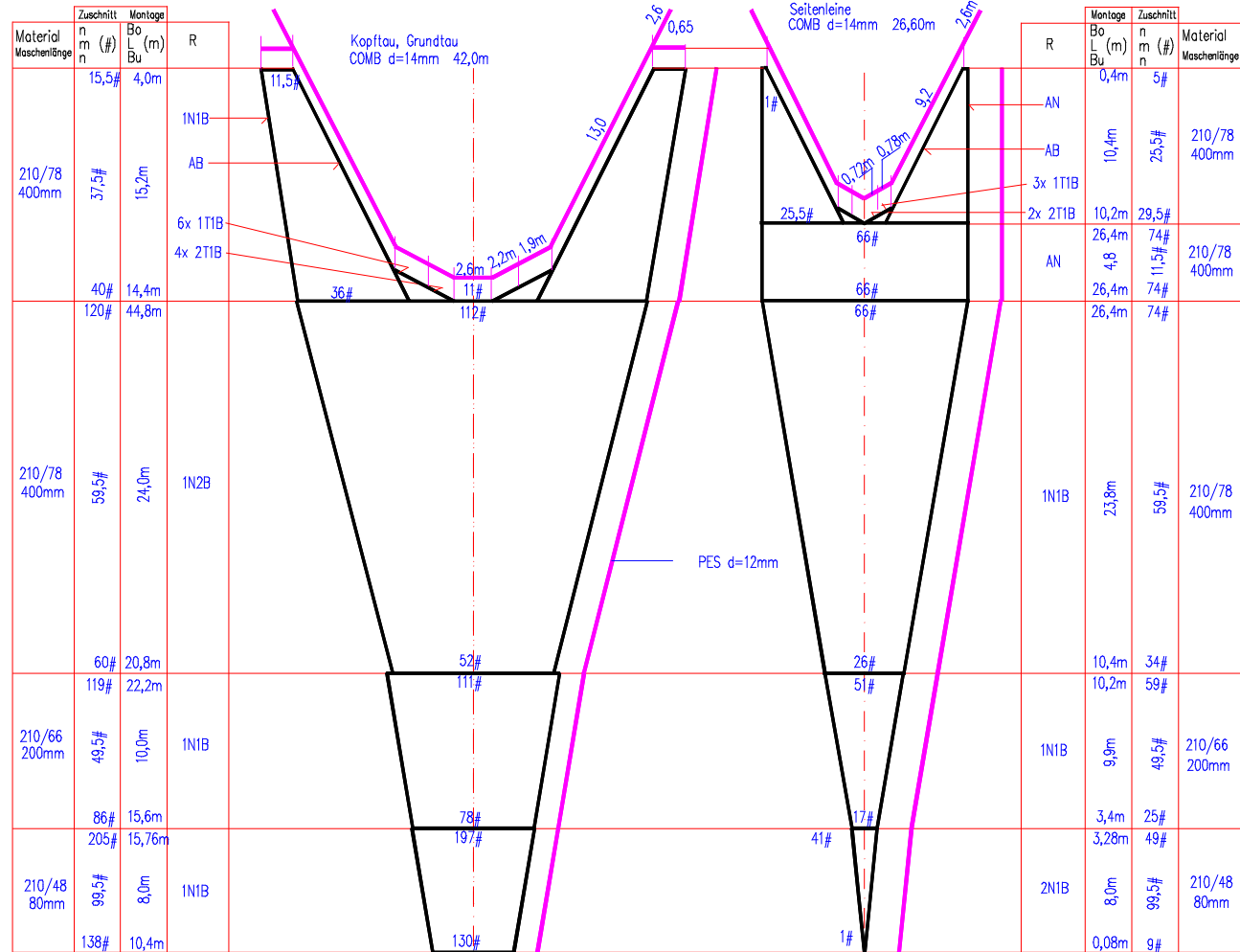
LIST OF SCIENTIFIC WORK BY FUNCTION e.g. MAGNETOMETRY GRAVITY, DIVING SEISMICS BATHYMETRY SEABED SAMPLING TRAWLING ECHO SOUNDING WATER SAMPLING U / W TV MOORED INSTRUMENTS TOWED INSTRUMENTS	WATER COLUMN INCLUDING SEDIMENT SAMPLING OF THE SEABED	FISHERIES RESEARCH WITHIN FISHING LIMITS	RESEARCH CONCERNING THE NATURAL RESOURCES OF THE CONTINENTAL SHELF OR ITS PHYSICAL CHARACTERISTICS	Distance from coast		
				WITHIN 12 NMS	BETWEEN 12-200 NM	(CONTINENTAL SHELF WORK ONLY) BEYOND 200 NM BUT WITHIN THE CONTINENTAL MARGIN
Trawling	surface to seabed	yes	no	yes	yes	no
Echo-integration with hull-mounted instruments	water column	yes	no	yes	yes	no
Water sampling	water column	yes	no	yes	yes	no


 Dated...06.03.2013.....
 (On behalf of the Principal Scientist)

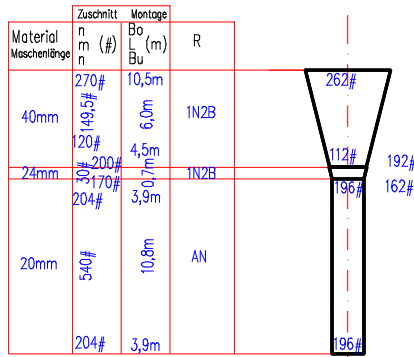
N.B. IF ANY DETAILS ARE MATERIALLY CHANGED REGARDING DATES / AREA OF OPERATION AFTER THIS FORM HAS BEEN SUBMITTED THE COASTAL STATE AUTHORITIES MUST BE NOTIFIED IMMEDIATELY

Ober- u. Unterblatt

Seitenblatt



Steert



Gesamtlänge: 59,8m (mit Steert: 77,3m)

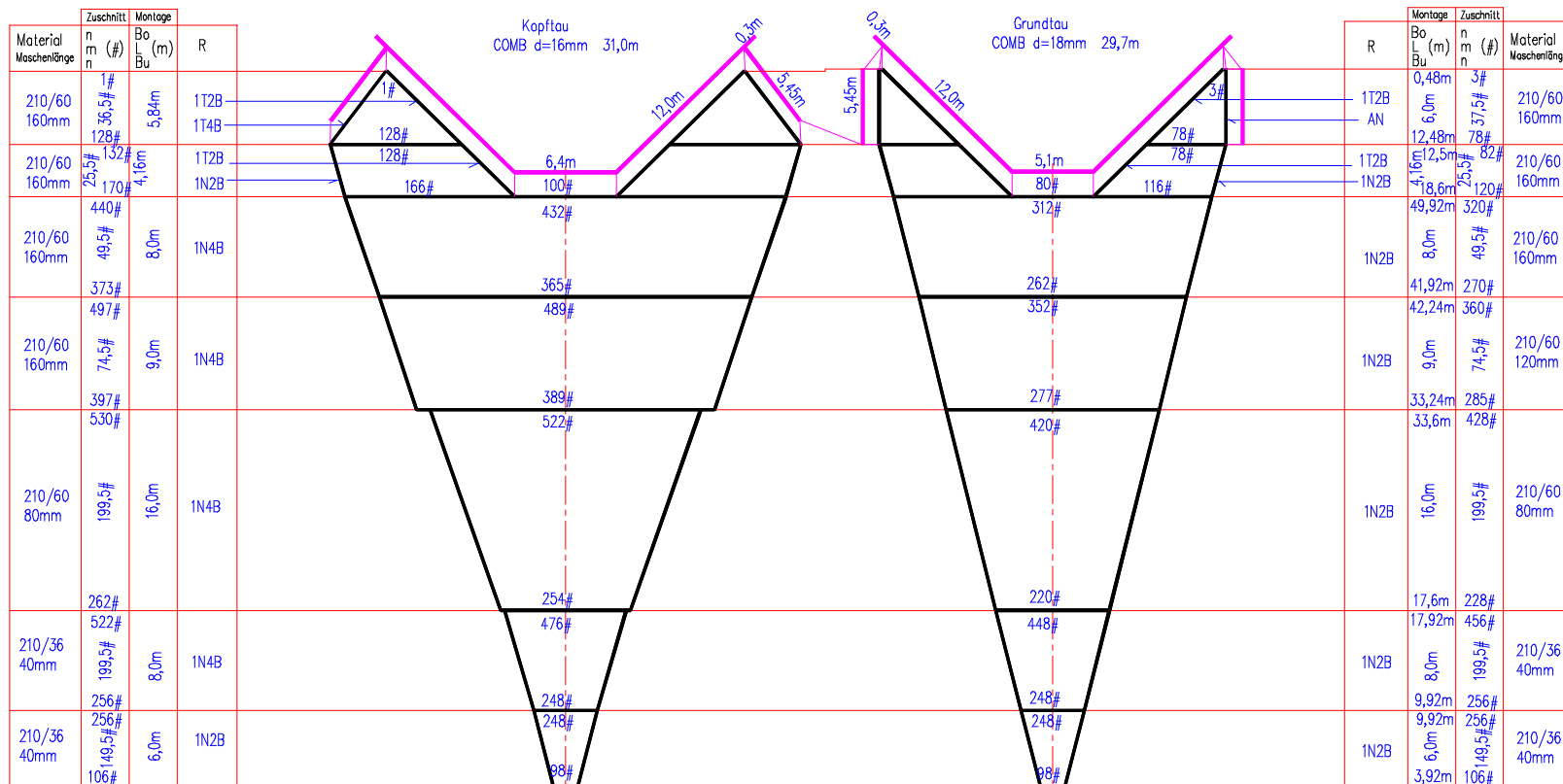
Umfang: 142,4m

krake_s.skd

25.05.99		W.Re	KRAKE KFF 125 P 2046	
20.9.95		Thiele	KRAKE KFF 125 P 2046	
25.05.99		W.Re	KRAKE KFF 125 P 2046	
20.9.95		Thiele	KRAKE KFF 125 P 2046	
25.05.99		W.Re	KRAKE KFF 125 P 2046	
20.9.95		Thiele	KRAKE KFF 125 P 2046	
25.05.99		W.Re	KRAKE KFF 125 P 2046	
20.9.95		Thiele	KRAKE KFF 125 P 2046	

Oberblatt

Unterblatt



aalhops.skd

Gesamtlänge: 57,5m

Umfang: 119m

Best.Nr.	Datum	Version
	07.07.99	Rehne
Asi Hoqari		
2 tansbna 5 ün77K 2006"		
1 : 300		

