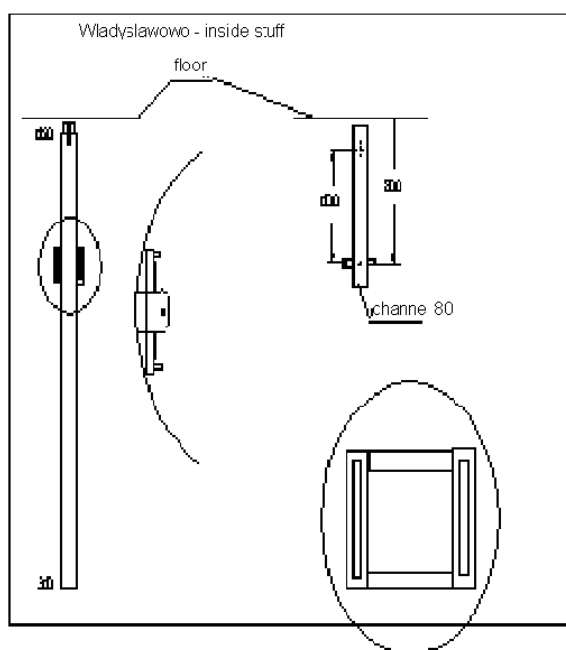
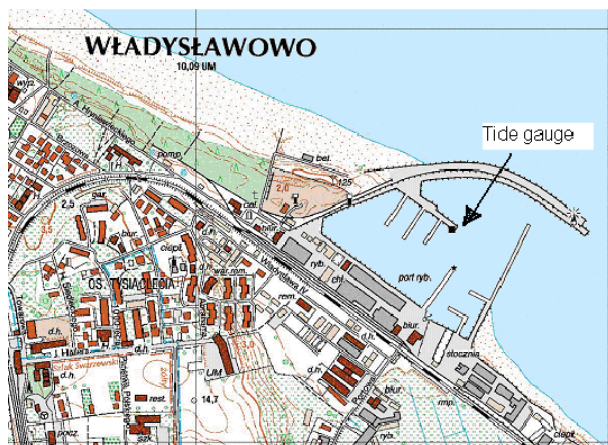


## Wladyslawowo site history



## History summary

<b>Station name</b>	Władysławowo
<b>Country</b>	Poland
<b>Latitude of measuring point</b>	54.7967
<b>Longitude of measuring point</b>	18.4186
<b>Datum reference</b>	Unknown
<b>Time reference</b>	Unknown
<b>Contributor</b>	Institute of Meteorology and Water Management, Maritime Branch Gdynia
<b>Instrument type</b>	Float gauge in stilling well
<b>Site of measuring point</b>	The point is located in the harbour. The tide gauge station (white house in

	picture) is installed near the point.
<b>Observational periods</b>	Unknown

### Benchmark descriptions

<b>Benchmark</b>	<b>Grid reference</b>	<b>Height above TGZ (m)</b>	<b>Description</b>
1. BM. AB - 1209		33.288	At the wall in the building of harbour master's office
2. BM. (aux.1)		30.940	Near the gauge
3. BM. (aux.1)		31.108	On the pier
4. BM. PIHM, new		31.589	Bolt at the wall inside tide gauge building

### Data quality

The primary data channel has been screened and quality controlled using ESEAS standards.