

Not to be cited without prior reference to Marine Scotland, Marine Laboratory, Aberdeen.

MRV Alba na Mara

Survey 1118A

PROGRAMME

27 July to 07 August 2018

Ports

Loading: Fraserburgh, 23 July 2018

Unloading: Fraserburgh, 07 August 2018

In setting the survey programme and specific objectives, etc the Scientist-in-Charge needs to be aware of the restrictions on working hours and the need to build in adequate rest days and rest breaks as set out in Marine Scotland's Working Time Policy (Lab Notice 34/03). In addition, the Scientist-in-Charge must formally review the risk assessments for the survey with staff on-board before work is commenced.

In the interest of efficient data management it is now mandatory to return the Survey Report, to I Gibb and the Survey Summary Report (old ROSCOP form) to M Geldart, within four weeks of a survey ending. In the case of the Survey Summary Report a nil return is required, if appropriate.

Personnel

E Edwards	SIC, Marine Scotland Science;
M Burrows	Visitor - Scottish Association for Marine Science
A O'Dell	Visitor - Scottish Association for Marine Science
W Austin	Visitor - University of St Andrews
C Smeaton	Visitor - University of St Andrews
A N Other (TBC)	MSS Oceanography (day visit for mooring deployment)

Project: 20086 (RE01W0)

Gear:

Day grabs (x 2) – supplied by MSS
Craib corer – supplied by MSS
Drop-down video frame (supplied by SAMS)
ADCP mooring (to be loaded in Scrabster)

Objectives:

1. To sample sediment in sea lochs (north coast; west coast) using day grab;
2. To sample sediment in sea lochs (north coast; west coast) using Craib core;r
3. To use drop-down video to survey seabed in sea lochs (north coast; west coast);
4. To sample kelp detritus in sea lochs (north coast; west coast) using day grab;
5. To deploy a mooring with ADCP in the Pentland Firth.

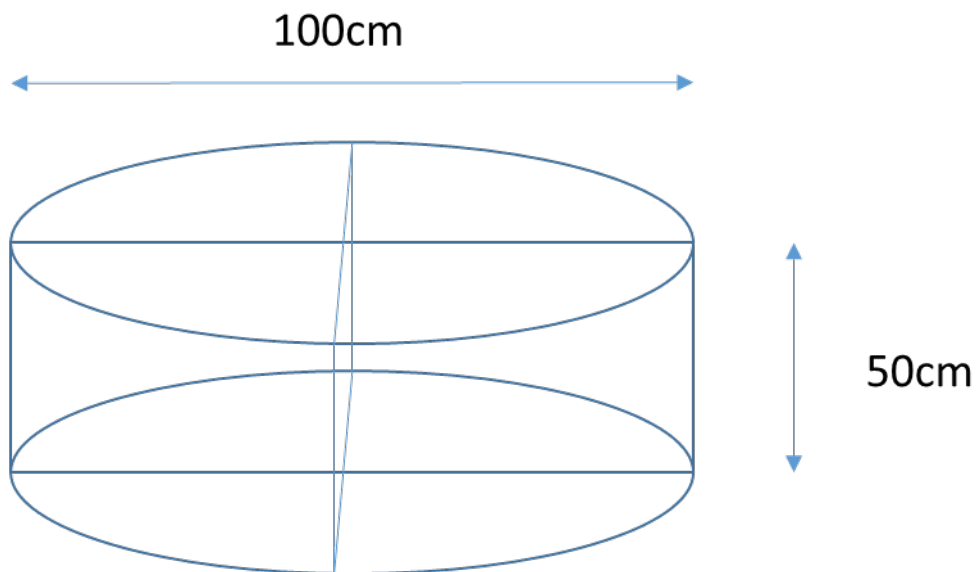
Provisional itinerary:

27/7: depart Fraserburgh bound for north coast;
28/7: sampling in Loch Eriboll;
29/7: sampling north/west sea lochs;
30/7: sampling north/west sea lochs;

- 31/7: sampling north/west sea lochs;
- 1/8: sampling north/west sea lochs;
- 2/8: sampling north/west sea lochs;
- 3/8: sampling north/west sea lochs;
- 4/8: depart western sea lochs; passage to Scrabster;
- 5/8: load and deploy ADCP in Pentland Firth;
- 6/8: steam to Fraserburgh;
- 7/8: unloading Fraserburgh.

Equipment Diagram:

SAMS drop-down video frame dimensions.



Normal contacts will be maintained with the laboratory.

Submitted:
E Edwards
10 July 2018

Approved:
I Gibb
19 July 2018

Not to be cited without prior reference to Marine Scotland, Marine Laboratory, Aberdeen

MRV *Alba na Mara*

Survey 1118A

PROGRAMME AMENDMENT

M Burrows, W Austin and C Smeaton will depart the vessel from Lochinver on Friday 3 August 2018.

M Geldart, M Rennie, B Williamson and C MacDowall will join the vessel in Scrabster as day visitors for 5 August 2018, then depart the vessel from the same port once mooring deployments are complete.

I Gibb
02/08/2018