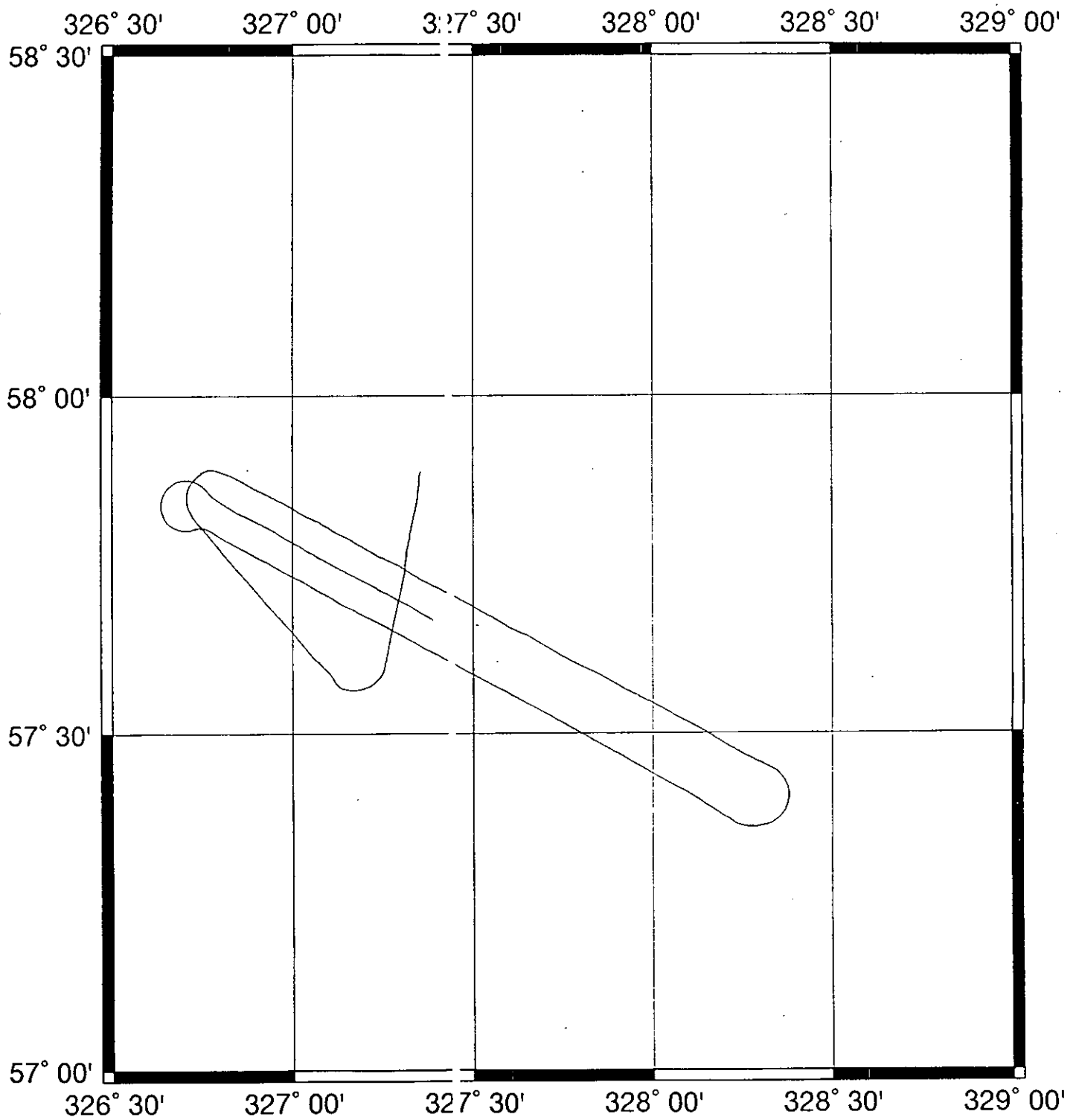


Figure 2. Shot and instrument positions for the wide-angle seismic experiment.



**Figure 7.** Seismic reflection profiles and wide-angle airgun shooting tracks.



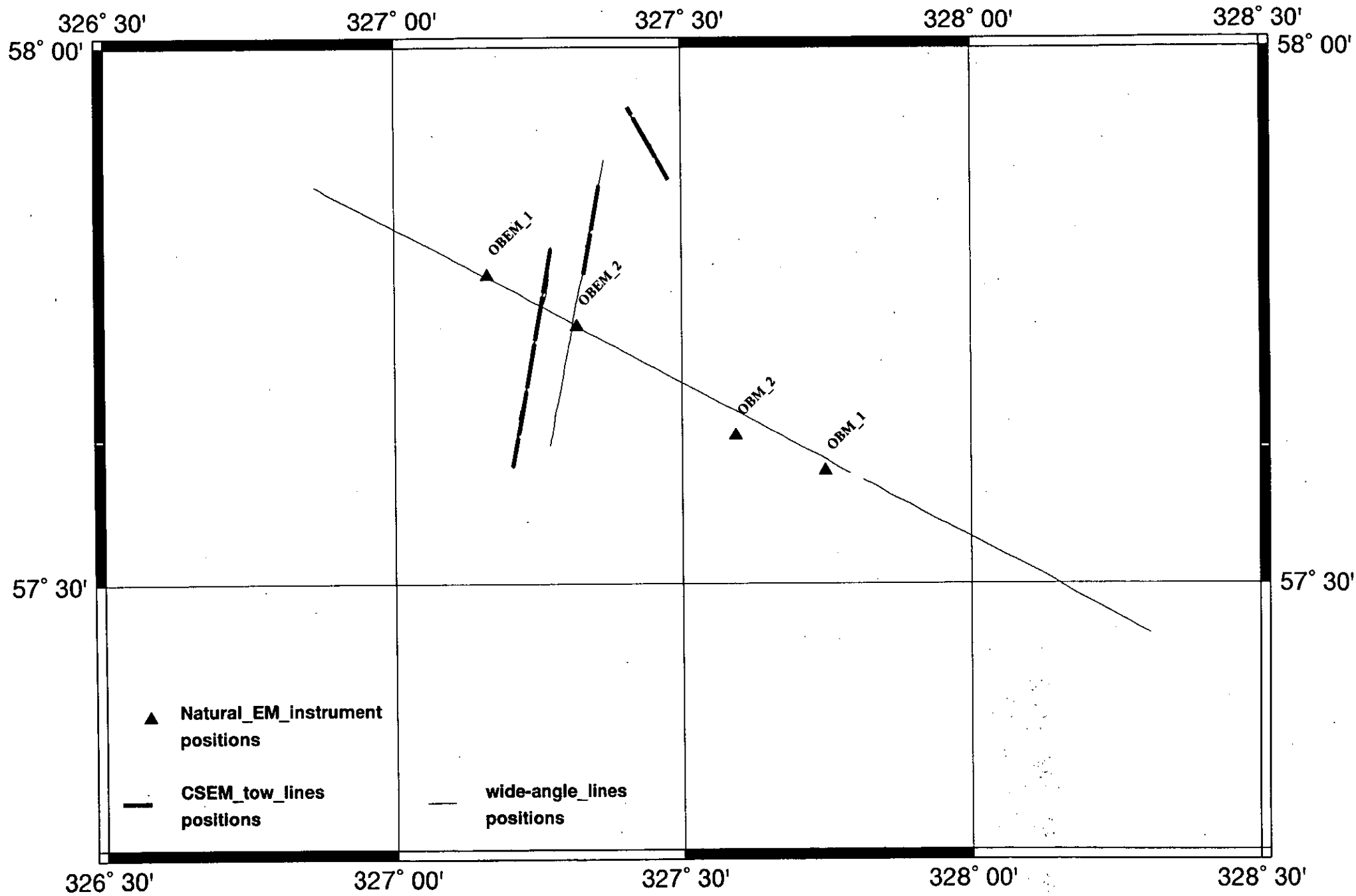


Figure 11. Natural source electromagnetic experiment — instrument locations.

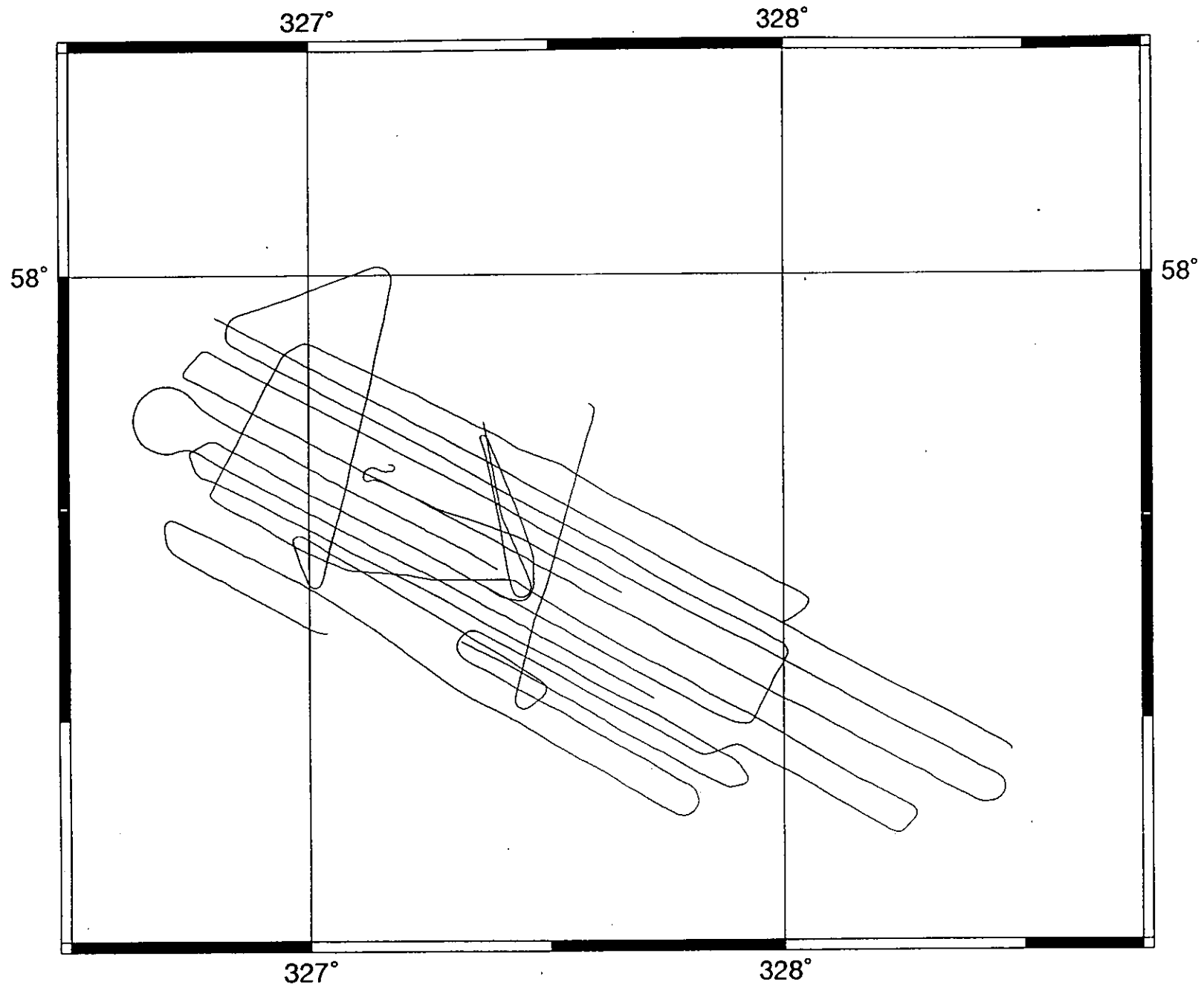
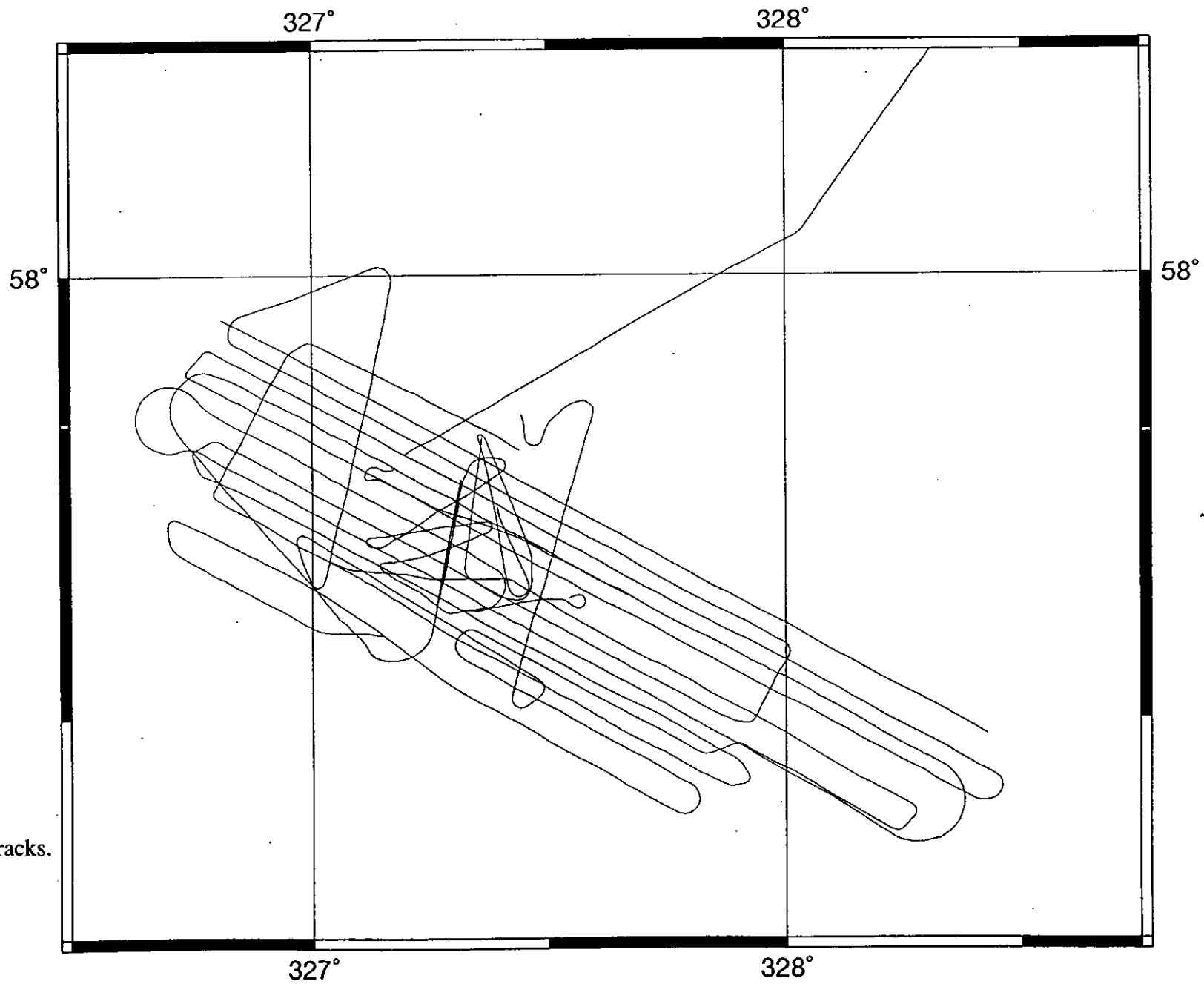


Figure 17. Swath bathymetry tracks.



**Figure 19.** Magnetometry tracks.